

# Product data sheet

Specifications



## standard digital output kit, Modicon STB, 24V DC, 6 solid state output

STBDDO3600K

### Main

Range of product	Modicon STB distributed I/O solution
Product or component type	Standard digital output kit
Kit composition	STBXBA1000 base STBDDO3600 module STBXTS2100, 6-terminal spring clamp connector STBXTS1100, 6-terminal screw type connector
Discrete output number	6
Discrete output type	Solid state
Discrete output voltage	24 V
Discrete output voltage type	DC

### Complementary

Discrete output current	500 mA
Discrete output logic	Positive or negative
Output voltage	19.2...30 V DC
Absolute maximum voltage	56 V 1.3 ms
Response time	715 $\mu$ s off-to-on 955 $\mu$ s on-to-off
Cold swapping	Yes
hot swapping	Yes for standard NIMs
fallback	State 0 basic NIMs User configurable standard NIMs
Protection type	Power protection integrated fuse on PDM time lag 10 A Reverse polarity protection Short-circuit protection Thermal overload protection
Insulation between channels and logic bus	1500 V for 1 minute
Maximum leakage current	0.4 mA at state 0 30 V
Surge current	5 A 0.5 ms
Maximum load capacitance	50 $\mu$ F
Maximum load inductance	500 mH at 4 Hz
Minimum load	0.5 mA
Reset	Manual reset COM fault
Product compatibility	Power distribution module STBPDT3100/3105 I/O base STBXBA1000

<b>[Us] rated supply voltage</b>	24 V DC
<b>Supply</b>	Power distribution module
<b>Current consumption</b>	90 mA at 5 V DC for logic bus
<b>Marking</b>	CE
<b>Overvoltage category</b>	II
<b>Status LED</b>	1 LED (green) module status (RDY) 1 LED per channel (green) channel status (OUT1 to OUT6) 1 LED (red) module error (ERR)
<b>Height</b>	13.9 mm
<b>Depth</b>	70 mm
<b>Width</b>	128.3 mm
<b>Net weight</b>	0.114 kg

## Environment

<b>Standards</b>	IEC 61131-2
<b>Product certifications</b>	CSA UL FM Class 1 Division 2
<b>Pollution degree</b>	2 conforming to IEC 60664-1
<b>Operating altitude</b>	<= 2000 m
<b>IP degree of protection</b>	IP20 conforming to IEC 61131-2 class 1
<b>Ambient air temperature for operation</b>	0...60 °C (without derating)
<b>Ambient air temperature for operation</b>	32...140 °F without derating
<b>Ambient air temperature for storage</b>	-40...85 °C without derating
<b>Ambient air temperature for storage</b>	-40...185 °F without derating
<b>Relative humidity</b>	95 % at 60 °C without condensation
<b>Vibration resistance</b>	3 gn at 58...150 Hz on 35 x 7.5 mm symmetrical DIN rail 5 gn at 58...150 Hz on 35 x 15 mm symmetrical DIN rail +/-0.35 mm at 10...58 Hz
<b>Shock resistance</b>	30 gn for 11 ms conforming to IEC 88 reference 2-27

## Packing Units

<b>Unit Type of Package 1</b>	PCE
<b>Number of Units in Package 1</b>	1
<b>Package 1 Height</b>	2.7 cm
<b>Package 1 Width</b>	8.0 cm
<b>Package 1 Length</b>	13.0 cm
<b>Package 1 Weight</b>	136.0 g
<b>Unit Type of Package 2</b>	S02
<b>Number of Units in Package 2</b>	28
<b>Package 2 Height</b>	40 cm
<b>Package 2 Width</b>	30 cm
<b>Package 2 Length</b>	15 cm

---

Package 2 Weight 4.425 kg

## Contractual warranty

---

Warranty 18 months

## Environmental Data

Schneider Electric aims to achieve Net Zero status by 2050 through supply chain partnerships, lower impact materials, and circularity via our ongoing "Use Better, Use Longer, Use Again" campaign to extend product lifetimes and recyclability.

[Environmental Data explained >](#)

[How we assess product sustainability >](#)

### Environmental footprint

Carbon footprint (kg.eq.CO2 per CR, Total Life cycle) 28

Environmental Disclosure [Product Environmental Profile](#)

## Use Better

### Materials and Substances

[EU RoHS Directive](#) Pro-active compliance (Product out of EU RoHS legal scope)


REACH Regulation [REACH Declaration](#)

California proposition 65 **WARNING:** This product can expose you to chemicals including: Lead and lead compounds, which is known to the State of California to cause cancer and birth defects or other reproductive harm. For more information go to [www.P65Warnings.ca.gov](http://www.P65Warnings.ca.gov)

## Use Again

### Repack and remanufacture

Circularity Profile [End of Life Information](#)

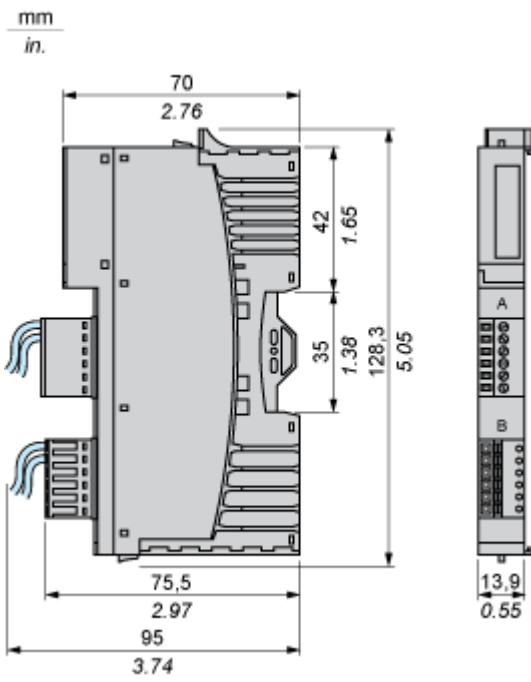
WEEE  The product must be disposed on European Union markets following specific waste collection and never end up in rubbish bins

Take-back No

Dimensions Drawings

Dimensions

---

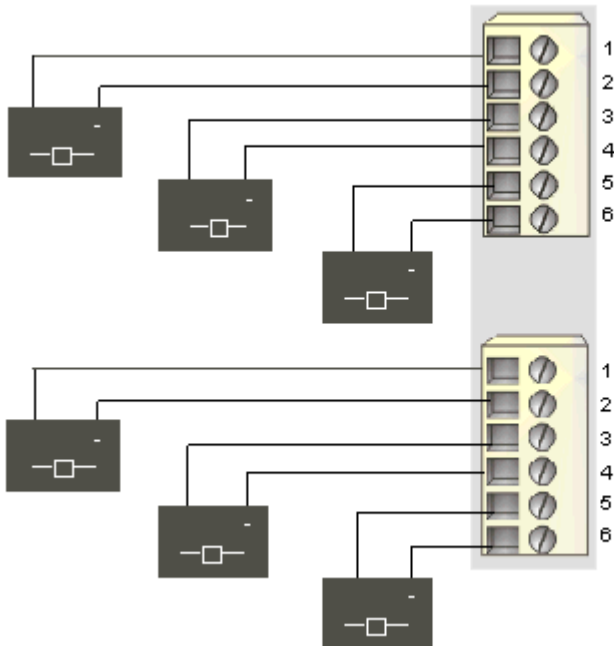


Connections and Schema

Wiring Diagram

Example

6 two-wire actuators



Pin	Top Connector	Bottom Connector
1	output to actuator 1	output to actuator 4
2	field power return	field power return
3	output to actuator 2	output to actuator 5
4	field power return	field power return
5	output to actuator 3	output to actuator 6
6	field power return	field power return